

# Product Sheet

Item No. B A H 1 Q S 0 075 P 2 T 2 L 0 N

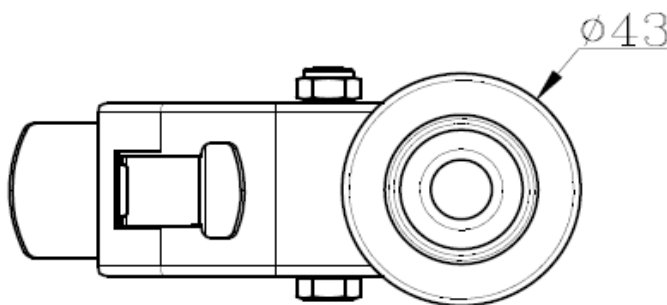
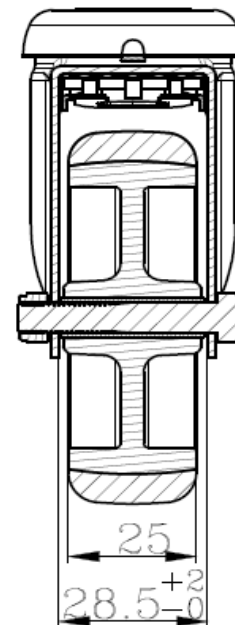
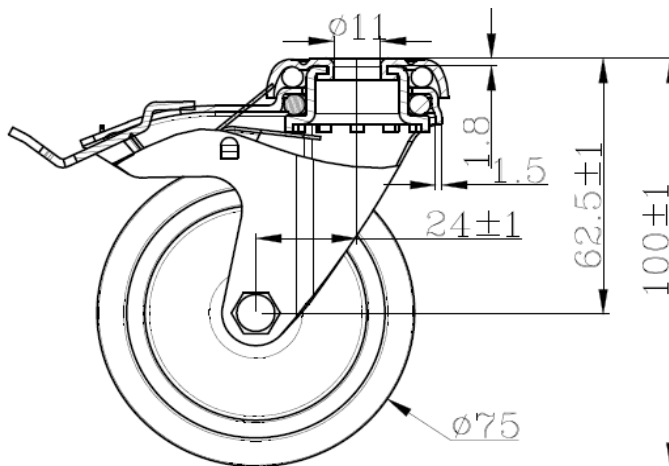
### housing / data

|                             |                                   |
|-----------------------------|-----------------------------------|
| housing type                | bolt hole castor with total brake |
| series                      | apparatus                         |
| fixing type                 | bolt hole                         |
| hole dimensions / hub width | 11 mm Diameter / 22-36 mm         |
| thickness of fixing / fork  | 1.80 mm / 1.50 mm                 |
| surface treatment           | stainless steel                   |



### wheel / data

|                    |                                   |
|--------------------|-----------------------------------|
| diameter           | 75 mm                             |
| wheel center       | Polypropylene grey                |
| wheel tread        | thermopl. rubber 95° Shore A grey |
| bearing            | plain bearing (stainless steel)   |
| threadguard        | no separate threadguard           |
| hub width          | 28 mm                             |
| axle diameter      | M 6                               |
| temperature range  | -20°C - +60°C                     |
| dyn. load capacity | 75 kg                             |



Deviation possible! All information is subject to change.