

Product Sheet

Item No.

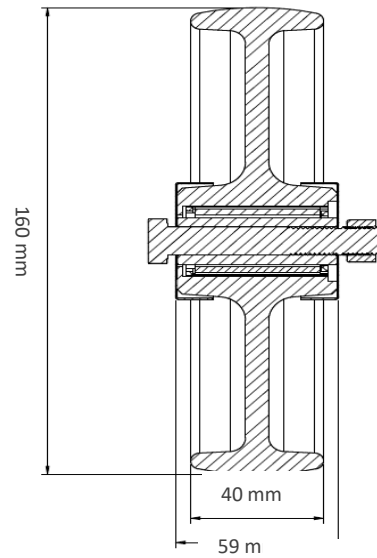
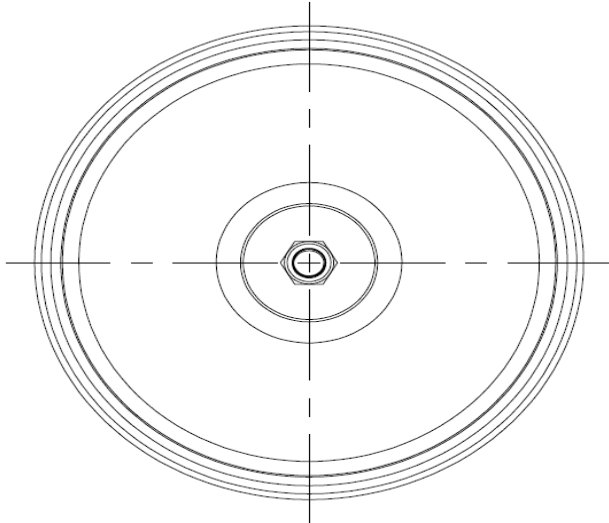
160 P 2 G 2 B 3 2

housing / data

housing type
series
fixing type
hole dimensions / hub width
thickness of fixing / fork
surface treatment

wheel / data

diameter	160 mm
wheel center	Polypropylene
wheel tread	thermopl. rubber 65° Shore A
bearing	single ball bearing
threadguard	small plastic threadguard
hub width	59 mm
axle diameter	M 12
temperature range	-20°C - +60°C
dyn. load capacity	2 kg
test norm	DIN EN 12532



Schraube
M12 x80
blau verzinkt
ähnlich DIN 931